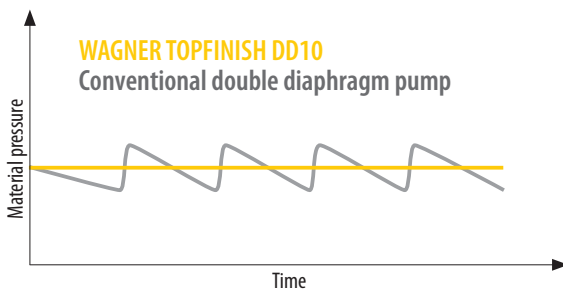


Up to 70% savings in rinsing agent and waste with the **WAGNER TOPFINISH DD10** – the first material feeding pump for airspray applications without material pressure regulator.



The **WAGNER TOPFINISH DD10** is the first air-operated double diaphragm pump which guarantees high-quality surfaces without the use of a material pressure regulator. In addition, the pump reduces the process costs significantly. It is, amongst other applications, ideally suitable for the coating of furniture or plastic components of transportation vehicles.

- Change of diaphragm in less than 15 minutes
- Perfectly suited for supplying material to manual or automatic Airspray guns and 2-component systems
- Revolutionary concept for pulsation-free material flow without material pressure regulator



Easy to use & time-saving

Two precisely adjustable rotary regulators with pressure gauge for the pump pressure and atomisation air.

Rapid service

You only need four standard tools to meet all of the pump's service requirements – quick and easy.

Homogeneous spray pattern

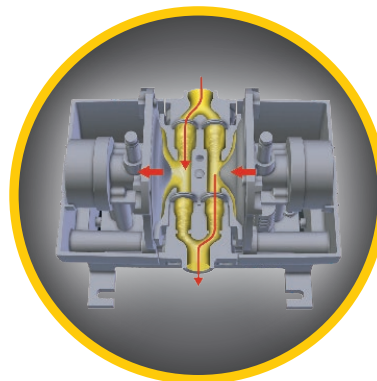
The revolutionary pump concept guarantees absolutely pulsation-free working, thus ensuring best surfaces.

No additional costs

All wetted parts are made from stainless steel. This means all materials can be processed with one pump.

Reliable operation

The pump can be installed in any conceivable position without restricting its function.



High savings in solvent & material waste

The optimised material flow with the small interior volume guarantees high savings when there is a change of paint or for cleaning.



Simple integration

The regulator unit can be installed either sideways or lengthways.

Technical data

Characteristics	Values
Pressure ratio	1:1
Operating air pressure	1,5 - 8 bar
Volumetric flow with free drainage	10l
Volumetric flow per double stroke	40 cc
Material input	G 1/2"
Material output	G 3/8"
Air output	G 1/4"
Material temperature	4 – 40°C
Material pH value	3,5 - 9
Parts in contact with media	Stainless steel 1.4301
Diaphragm material	PA 11
Dimensions	192 x 142 x 175 (WxDxH w/o controller) 192 x 165 x 265 (WxDxH with controller)
Weight	3,1 kg w/o controller 4,1 kg with controller

Spraypacks

Components	Spraypack Wall holder	Spraypack Trolley	Spraypack Drum cover	Spraypack Stand, hose	Spraypack Stand, hopper
Pump with controller unit	•	•	•	•	•
Circulation	•	•	•	•	•
Barrel lid			•		
Wall holder	•				
Large stand				•	•
Trolley		•			
Suction hose	•	•		•	
5 l hopper					•

A wide range of accessories is available for optimum use of the **WAGNER TOPFINISH DD10** in various application areas. The range of accessories covers mounting possibilities such as racks and trolleys, as well as various suction attachment systems through to filters and gun distributors.



J. Wagner GmbH
Industrial Solutions
D-88677 Markdorf
T +49 (0) 7544 505 - 0
F +49 (0) 7544 505 - 1200

www.wagner-group.com

